



常熟科新自动化设备有限公司
CHANGSHU KEXIN AUTOMATION EQUIPMENT CO., LTD.

Changshu Kexin Automation Equipment Co., Ltd.
atpneumaticactuator.com

Double Acting Pneumatic Valve Actuator Spring Return

Our Product Introduction

for more products please visit us on atpneumaticactuator.com

Basic Information

- Place of Origin: Jiangsu, China
- Brand Name: OEM
- Certification: CE, ATEX, ISO, SGS
- Model Number: DA, SR
- Minimum Order Quantity: 20
- Price: 10
- Packaging Details: 1) foam packing inside, one carton box outside 2) then put all carton box in one strong plywood case for sea transport
- Delivery Time: 3-15days
- Payment Terms: T/T, Western Union
- Supply Ability: 5000 sets per month



Product Specification

- Material: Extruded Aluminum Alloy
- Colour: Black, Gray, Blue, Or As Customers' Requirement
- Application: Ball Valve, Butterfly Valve
- Connection: ISO 5211, DIN 3337
- Structure: Rack And Pinion
- Type: Double Acting Spring Returned
- Product Name: Double Acting Pneumatic Actuator
- Size: 32~400
- Highlight: **double acting pneumatic valve actuator, pneumatic valve actuator double acting, double acting actuator pneumatic**



More Images



Product Description

double acting pneumatic actuator

Pneumatic Actuator

Application

Dairy food, beverage, pharmacy, cosmetic, chemical, etc.

Standard

DIN, SMS, 3A, ISO, IDF, RJT, DS

Connection

Union, Clamp, Welding, flange

Body Material

SS304, SS316L

Sealing Material

EPDM, Viton, Silicone, PTFE

Power

Manual, Pneumatic, Electric

Certificate

ISO 9001, CE

OEM

Available

Material	Extruded Aluminum alloy
Rotary Angle	0~90 degree
Structure	rack and pinion rotary actuator
Working Pressure	2~8bar
Surface Treatment	hard anodizing
Working Temperature	Normal Temperature: -20°C(-4°F) ~ 80°C (+176°F);
	High Temperature: -15°C(+5°F) ~ 150°C (+302°F);
	Low Temperature: -40°C(-104°F) ~ 80°C (+176°F).
Connection	NAMUR, ISO5211 and DIN3337
Application	ball valve, butterfly valve, and rotary machine
Cup Color	grey, black, sky blue, dark blue, red, orange

Main Features

Pneumatic rotary actuator are greatly used in ball valve and butterfly valve.

Low cost, compact design, long working life.

Pneumatic actuator type: single acting (spring return) or double acting.

Color: orange, blue, black, dark gray. we accept OEM colors and brand.

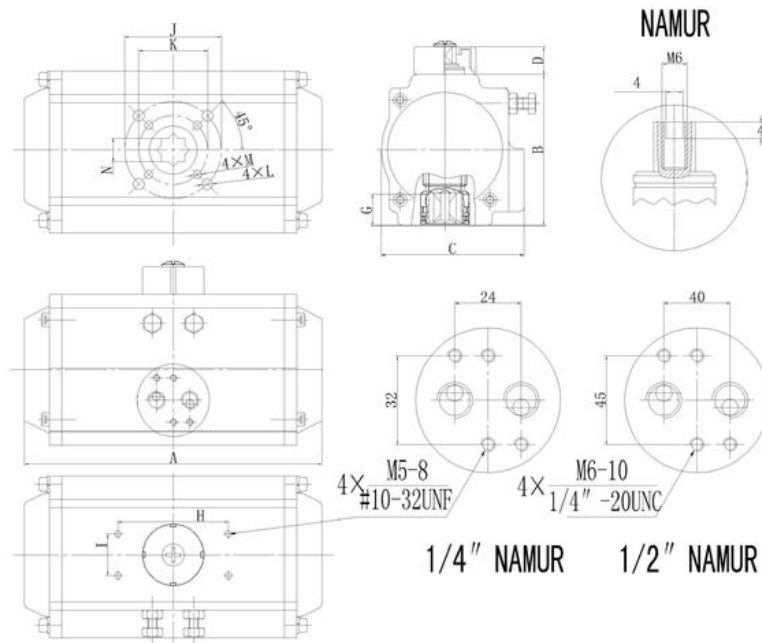
Pneumatic actuator working pressure: 0.3~0.8MPa

Bottom connection: ISO 5211

Solenoid valve standard: Namur

Accessories of pneumatic actuator: limit switch box, solenoid valve, .

Pneumatic Actuator Dimension



Model	A	B	C	D	H×I	G	N	J	K	L	M	Air connection
XM032	110	45	45	20	50×25	12	9	Æ36		M5×7.5		G1/8"
XM040	122	60	65	20	80×30	14	11	Æ50	Æ36	M6×10	M5×7.5	NAMUR G1/4"
XM052	147	72	72	20	80×30	14	11	Æ50	Æ36	M6×10	M5×7.5	NAMUR G1/4"
XM063	172	88	83	20	80×30	18	14	Æ70	Æ50	M8×13	M6×10	NAMUR G1/4"
XM075	184	100	95	20	80×30	20	14	Æ70	Æ50	M8×13	M6×10	NAMUR G1/4"
XM083	204	109	103	20	80×30	21	17	Æ70	Æ50	M8×13	M6×10	NAMUR G1/4"
XM092	262	117	109	20	80×30	22	17	Æ70	Æ50	M8×13	M6×10	NAMUR G1/4"
XM105	268	133	121	20	80×30	26	22	Æ102	Æ70	M10×16	M8×13	NAMUR G1/4"
XM125	301	155	143	20	80×30	27	22	Æ102	Æ70	M10×16	M8×13	NAMUR G1/4"
XM140	394	173	152	20	80×30	32	27	Æ125	Æ102	M12×20	M10×16	NAMUR G1/4"
XM160	458	198	174	20	80×30	34	27	Æ125	Æ102	M12×20	M10×16	NAMUR G1/4"
XM190	528	232	206	30	130×30	40	36	Æ140		M16×24		NAMUR G1/4"
XM210	532	257	226	30	130×30	40	36	Æ140		M16×24		NAMUR G1/4"
XM240	660	291	260	30	130×30	50	46	Æ165		M20×25		NAMUR G1/4"
XM270	740	330	294	30	130×30	50	46	Æ165		M20×25		NAMUR G1/2"
XM300	798	354	336	30	130×30	60	46	Æ165		M20×25		NAMUR G1/2"
XM350	880	408	385	30	130×30	60	46	Æ165		M20×25		NAMUR G1/2"
XM400	950	464	516	30	130×30	60	55	Æ254	Æ165	8-M16×25	M20×25	NAMUR G1/2"

Product Application

AERO series Pneumatic Actuator is made of dual pistons driven by racks and pinions. There are two models. One is Dual Acting model, and the other is Spring Return model, which can suit various flammable, corrosive, dusty, strong magnetic field, radiation, vibration corrosive environment indoor or outdoor.

Auto-control in the field of electric power, petrochemical, metallurgy, petroleum, gas, town, construction, drainage, chemical industry, oil refining, mining, power plant, metallurgy, architecture, medicine, food, gas, scientific research, etc.



Changshu Kexin Automation Equipment Co., Ltd.



+8613921532524



snow0909@hotmail.com



atpneumaticuator.com

No.25 Yingbin Road,Bixi New District,Changshu City,Jiangsu Province