



常州科新自动化设备有限公司  
CHANGSHU KEXIN AUTOMATION EQUIPMENT CO., LTD.

Changshu Kexin Automation Equipment Co., Ltd.  
atpneumaticactor.com

## 180 degree rack and pinion pneumatic rotary actuator aluminum

Our Product Introduction

for more products please visit us on [atpneumaticactor.com](http://atpneumaticactor.com)

### Basic Information

- Place of Origin: Jiangsu, China
- Brand Name: xm
- Certification: CE, ATEX, ISO, SGS
- Model Number: DA, SR
- Minimum Order Quantity: 20
- Packaging Details: 1) foam packing inside, one carton box outside 2) then put all carton box in one strong plywood case for sea transport
- Delivery Time: 3-15days
- Supply Ability: 5000 sets per month



### Product Specification

- Product Name: Actuators Double Acting Pneumatic Aluminum Rack And Pinions Rotary Actuator
- Colour: Black, Gray, Blue, Or As Customers' Requirement
- Application: Ball Valve, Butterfly Valve
- Connection: ISO 5211, DIN 3337
- Structure: Rack And Pinion
- Type: Double Action And Single Action
- Usage: Pneumatic Actuator Control For Valves
- Material: Aluminum Alloy
- Size: 32-400
- Highlight: rack and pinion pneumatic rotary actuator, rack and pinion rotary actuator, 180 degree rack and pinion actuator



### More Images



## Product Description

### actuators double acting pneumatic aluminum rack and pinions rotary actuator

#### Pneumatic Actuator

double acting pneumatic actuators for ball valve  
 High platforms, using ISO5211 standard design,  
**Valve stem O-ring PTFE seal** long service life  
 Connection: Flanged  
 Applicable medium: water, oil, gas, nitrose, Acetic acid  
 Working Pressure: pn1.6-6.4Mpa  
 Working Temperature: -40~180 (-40 to 400 )

Material	Extruded Aluminum alloy
Rotary Angle	0~90 degree
Structure	rack and pinion rotary actuator
Working Pressure	2~8bar
Surface Treatment	hard anodizing
Working Temperature	Normal Temperature: -20°C(-4°F) ~ 80°C (+176°F);
	High Temperature: -15°C(+5°F) ~ 150°C (+302°F); Low Temperature: -40°C(-104°F) ~ 80°C (+176°F).
Connection	NAMUR, ISO5211 and DIN3337
Application	ball valve, butterfly valve, and rotary machine
Cup Color	grey, black, sky blue, dark blue, red, orange

#### Pneumatic actuator control valves statement of usage and selection

Through research development and design XM series pneumatic actuators incorporate the latest technology materials and innovative idea. The product proudly boasts the following features.

Full conformance to the latest specifications: ISO5211, DIN3337 and VDI3854, NAMUR.

The extruding high intensity aluminum body possesses a honed internal surface coated with hard anode oxygenation for long life. Low coefficient of friction and swift performance.

Excellent compact and modernized construction along with multi specifications makes the selection both economic and beneficial.

All acting surface adopt high quality bearing resulting in low friction, high cycle life, and no noise

The two independent external stroke adjustment bolts can easily and precisely adjust  $\pm 5^\circ$  at both open and close directions.

Same outline actuators have the functional modes of double acting and single acting (Spring -Return). The Spring-Return has the normally-open and normally-close styles.

Multi function indicator with NAMUR is convenient for mounting accessories.

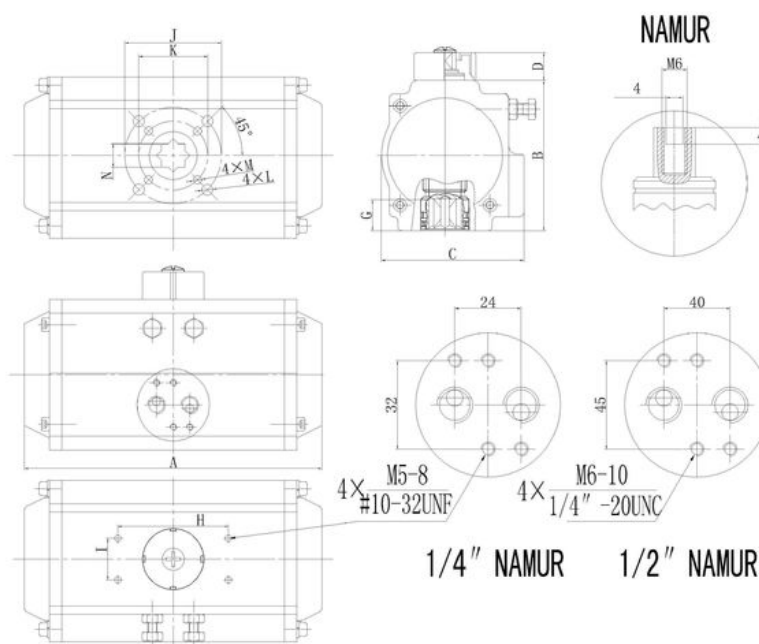
Pre-compressed load spring is convenient for safe mounting and tear down procedures.

Die-casting aluminum pistons and end caps have high intensity and light weight.

Different O-rings materials are available for high and low temperature.

Solenoid valves are easily mounted without any connecting plank.

#### Pneumatic Actuator Dimension



Model	A	B	C	D	H×I	G	N	J	K	L	M	Air connection

XM O32	110	45	45	20	50×25	12	9	Æ36		M5×7.5		G1/8"
XM 040	122	60	65	20	80×30	14	11	Æ50	Æ36	M6×10	M5×7.5	NAMUR G1/4"
XM 052	147	72	72	20	80×30	14	11	Æ50	Æ36	M6×10	M5×7.5	NAMUR G1/4"
XM 063	172	88	83	20	80×30	18	14	Æ70	Æ50	M8×13	M6×10	NAMUR G1/4"
XM 075	184	100	95	20	80×30	20	14	Æ70	Æ50	M8×13	M6×10	NAMUR G1/4"
XM 083	204	109	103	20	80×30	21	17	Æ70	Æ50	M8×13	M6×10	NAMUR G1/4"
XM 092	262	117	109	20	80×30	22	17	Æ70	Æ50	M8×13	M6×10	NAMUR G1/4"
XM 105	268	133	121	20	80×30	26	22	Æ102	Æ70	M10×16	M8×13	NAMUR G1/4"
XM 125	301	155	143	20	80×30	27	22	Æ102	Æ70	M10×16	M8×13	NAMUR G1/4"
XM 140	394	173	152	20	80×30	32	27	Æ125	Æ102	M12×20	M10×16	NAMUR G1/4"
XM 160	458	198	174	20	80×30	34	27	Æ125	Æ102	M12×20	M10×16	NAMUR G1/4"
XM 190	528	232	206	30	130×30	40	36	Æ140		M16×24		NAMUR G1/4"
XM 210	532	257	226	30	130×30	40	36	Æ140		M16×24		NAMUR G1/4"
XM 240	660	291	260	30	130×30	50	46	Æ165		M20×25		NAMUR G1/4"
XM 270	740	330	294	30	130×30	50	46	Æ165		M20×25		NAMUR G1/2"
XM 300	798	354	336	30	130×30	60	46	Æ165		M20×25		NAMUR G1/2"
XM 350	880	408	385	30	130×30	60	46	Æ165		M20×25		NAMUR G1/2"
XM 400	950	464	516	30	130×30	60	55	Æ254	Æ165	8-M16×25	M20×25	NAMUR G1/2"

### Product Application

AT series Pneumatic Actuator is made of dual pistons driven by racks and pinions. There are two models. One is Dual Acting model, and the other is Spring Return model, which can suit various flammable, corrosive, dusty, strong magnetic field, radiation, vibration corrosive environment indoor or outdoor.

Auto-control in the field of electric power, petrochemical, metallurgy, petroleum, gas, town, construction, drainage, chemical industry, oil refining, mining, power plant, metallurgy, architecture, medicine, food, gas, scientific research, etc.



**Changshu Kexin Automation Equipment Co., Ltd.**



+8613921532524



snow0909@hotmail.com



atpneumaticactuator.com

No.25 Yingbin Road, Bixi New District, Changshu City, Jiangsu Province