



Aero2 Pneumatic Ball Valve Actuator Air Control Three Way Y Type Ball Valve

Our Product Introduction

for more products please visit us on atpneumaticactuator.com

Basic Information

- Place of Origin: Jiangsu, China
- Brand Name: AT
- Certification: CE, ATEX, ISO, SGS
- Model Number: DA, SR
- Minimum Order Quantity: 20
- Packaging Details: 1) foam packing inside, one carton box outside 2) then put all carton box in one strong plywood case for sea transport
- Delivery Time: 3-15 days
- Supply Ability: 5000 sets per month



Product Specification

- Material: Extruded Aluminum Alloy
- Colour: Black, Gray, Blue, Or As Customers' Requirement
- Application: Ball Valve, Butterfly Valve
- Connection: ISO 5211, DIN 3337
- Structure: Rack And Pinion
- Type: Double Action And Single Action
- Usage: Pneumatic Actuators Air Control For Valve
- Product Name: Taero2 Pneumatic Actuator Air Control Three Way Y Type Ball Valve
- Size: 32 To 400
- Angle Of Rotation: $90^{\circ} \pm 5^{\circ}$
- Highlight: **aero2 pneumatic actuator, aero2 Pneumatic Ball Valve Actuator, Pneumatic Ball Valve Actuator air control**



More Images



Product Description

aero2 pneumatic actuator aircontrol three way Y type ball valve

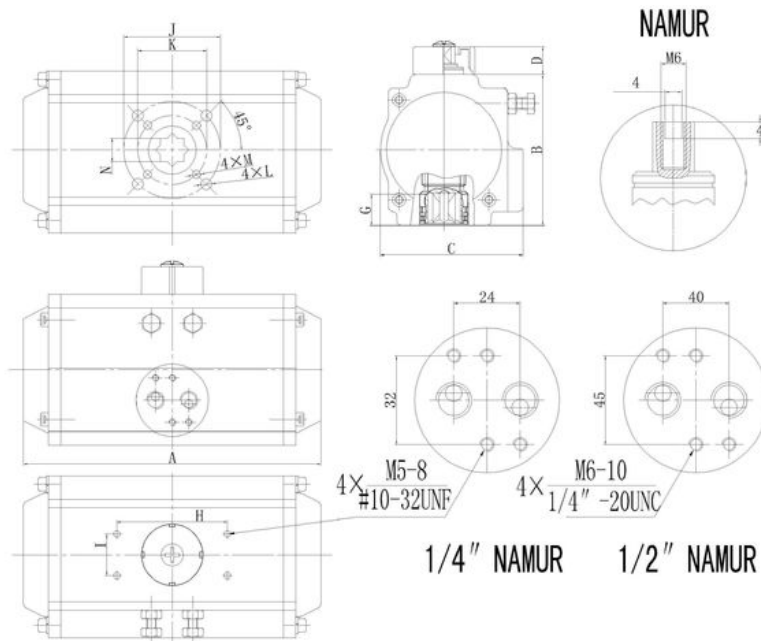
Pneumatic actuator

Material	Extruded Aluminum alloy
Rotary Angle	0~90 degree
Structure	rack and pinion rotary actuator
Working Pressure	2~8bar
Surface Treatment	hard anodizing
Working Temperature	Normal Temperature: -20°C(-4°F) ~ 80°C (+176°F);
	High Temperature: -15°C(+5°F) ~ 150°C (+302°F);
	Low Temperature: -40°C(-104°F) ~ 80°C (+176°F).
Connection	NAMUR, ISO5211 and DIN3337
Application	ball valve, butterfly valve, and rotary machine
Cup Color	grey, black, sky blue, dark blue, red, orange

Main Features

Pneumatic rotary actuator are greatly used in ball valve and butterfly valve.
 Low cost, compact design, long working life.
 Pneumatic actuator type: single acting (spring return) or double acting.
 Color: orange, blue, black, dark gray. we accept OEM colors and brand.
 Pneumatic actuator working pressure: 0.3~0.8MPa
 Bottom connection: ISO 5211
 Solenoid valve standard: Namur
 Accessories of pneumatic actuator: limit switch box, solenoid valve, .

Pneumatic Actuator Dimension



Model	A	B	C	D	HxI	G	N	J	K	L	M	Air connection
XM032	110	45	45	20	50x25	12	9	Æ36		M5x7.5		G1/8"
XM040	122	60	65	20	80x30	14	11	Æ50	Æ36	M6x10	M5x7.5	NAMUR G1/4"
XM052	147	72	72	20	80x30	14	11	Æ50	Æ36	M6x10	M5x7.5	NAMUR G1/4"
XM063	172	88	83	20	80x30	18	14	Æ70	Æ50	M8x13	M6x10	NAMUR G1/4"
XM075	184	100	95	20	80x30	20	14	Æ70	Æ50	M8x13	M6x10	NAMUR G1/4"
XM083	204	109	103	20	80x30	21	17	Æ70	Æ50	M8x13	M6x10	NAMUR G1/4"

XM 092	262	117	109	20	80×30	22	17	Æ70	Æ50	M8×13	M6×10	NAMUR G1/4"
XM 105	268	133	121	20	80×30	26	22	Æ102	Æ70	M10×16	M8×13	NAMUR G1/4"
XM 125	301	155	143	20	80×30	27	22	Æ102	Æ70	M10×16	M8×13	NAMUR G1/4"
XM 140	394	173	152	20	80×30	32	27	Æ125	Æ102	M12×20	M10×16	NAMUR G1/4"
XM 160	458	198	174	20	80×30	34	27	Æ125	Æ102	M12×20	M10×16	NAMUR G1/4"
XM 190	528	232	206	30	130×30	40	36	Æ140		M16×24		NAMUR G1/4"
XM 210	532	257	226	30	130×30	40	36	Æ140		M16×24		NAMUR G1/4"
XM 240	660	291	260	30	130×30	50	46	Æ165		M20×25		NAMUR G1/4"
XM 270	740	330	294	30	130×30	50	46	Æ165		M20×25		NAMUR G1/2"
XM 300	798	354	336	30	130×30	60	46	Æ165		M20×25		NAMUR G1/2"
XM 350	880	408	385	30	130×30	60	46	Æ165		M20×25		NAMUR G1/2"
XM 400	950	464	516	30	130×30	60	55	Æ254	Æ165	8-M16×25	M20×25	NAMUR G1/2"

AT series pneumatic actuators statement of usage and selection

Through research development and design XM series pneumatic actuators incorporate the latest technology materials and innovative idea. The product proudly boasts the following features.

Full conformance to the latest specifications: ISO5211, DIN3337 and VDINDE-3854, NAMUR.

The extruding high intensity aluminum body possesses a honed internal surface coated with hard anode oxygenation for long life. Low coefficient of friction and swift performance.

Excellent compact and modernized construction along with multi specifications makes the selection both economic and beneficial.

All acting surface adopt high quality bearing resulting in low friction, high cycle life, and no noise

The two independent external stroke adjustment bolts can easily and precisely adjust $\pm 5^\circ$ at both open and close directions.

Same outline actuators have the functional modes of double acting and single acting (Spring -Return). The Spring-Return has the normally-open and normally-close styles.

Multi function indicator with NAMUR is convenient for mounting accessories.

Pre-compressed load spring is convenient for safe mounting and tear down procedures.

Die-casting aluminum pistons and end caps have high intensity and light weight.

Different O-rings materials are available for high and low temperature.

Solenoid valves are easily mounted without any connecting plank.





Changshu Kexin Automation Equipment Co., Ltd.



+8613921532524



snow0909@hotmail.com



atpneumaticuator.com

No.25 Yingbin Road,Bixi New District,Changshu City,JIANGSU Province