



常州科新自动化设备有限公司
CHANGSHU KEXIN AUTOMATION EQUIPMENT CO., LTD.

Changshu Kexin Automation Equipment Co., Ltd.
atpneumaticactuator.com

180 Degree Pneumatic Rotary Actuator Rack And Pinion

Our Product Introduction

for more products please visit us on atpneumaticactuator.com

Basic Information

- Place of Origin: Jiangsu, China
- Brand Name: OEM
- Certification: CE, ATEX, ISO, SGS, SIL
- Model Number: AT075
- Minimum Order Quantity: 20
- Packaging Details: 1) foam packing inside, one carton box outside 2) then put all carton box in one strong plywood case for sea transport
- Delivery Time: 3-15 days
- Payment Terms: Western Union, T/T
- Supply Ability: 5000 sets per month



Product Specification

- Material: Aluminum Alloy
- Color: Black, Gray, Blue, Or As Customers' Requirement
- Application: Ball Valve, Butterfly Valve
- Connection: ISO 5211, DIN 3337
- Structure: Rack And Pinion
- Type: Double Action
- Product Name: 180 Degree Pneumatic Rotary Actuator Rack And Pinion Actuator Pneumatic Valve
- Size: 52 To 210
- Angle Of Rotation: 0-180 Degree
- Warranty: 1 Year
- Install Accessories: Limit Switch Box / Etc
- Working Medium: Water, Oil, Air And Some Corrosive Liquid
- Certificate: ISO9001: 2000, CE, ATEX, SIL3
- Highlight: 180 degree pneumatic actuator rack and pinion



Product Description

180 degree pneumatic rotary actuator rack and pinion actuator pneumatic valve

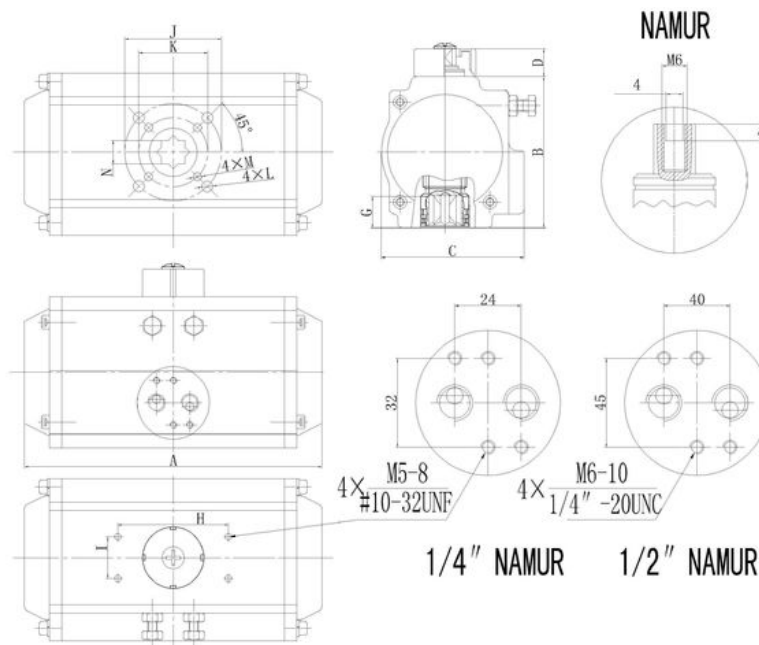
Pneumatic actuator

Product name	Pneumatic Actuator
Material	Stainless Steel / Aluminum alloy
Certificate	ISO9001: 2000,CE,ATEX,SIL3
Function	ON / OFF
Application	Ball valve ,Butterfly valve
Temperature Range	-40~150 degree C
Delivery time	Usually 7 days around and can negotiate as per order qty
Shipping port	Shanghai,ningbo Etc
Package detail	inner CTN, outside plywood case
Rotary Angle	0~90 degree/ 0~120degree/ 0~180degree
Structure	rack and pinion rotary actuator
Surface Treatment	hard anodizing
Working Temperature	Normal Temperature: -20°C ~ 80°C (-4°F ~ 176°F) High Temperature: -15°C ~150°C (-40°F ~ 176°F) Low Temperature: -40°C ~ 80°C (-4°F ~ 302°F)
Connection	NAMUR, ISO5211 and DIN3337
Cap Color	Can be customized
Type	double acting and single acting
Instructions Cover	Support for Customized
Install Accessories	Limit Switch Box / Solenoid Valve / etc
valve Accessories	The hand operation
Piston	Hard Anodizing
Medium	Water, Oil, Air and Some Corrosive Liquid
Model	AT32/AT40/AT52/AT63/AT75/AT83/AT92/AT105/AT125/AT140/AT160/AT190 AT210/AT240/AT270/AT300/AT350/AT400

Main Features

Pneumatic rotary actuator are greatly used in ball valve and butterfly valve.
 Low cost, compact design, long working life.
 Pneumatic actuator type: single acting (spring return) or double acting.
 Color: orange, blue, black, dark gray. we accept OEM colors and brand.
 Pneumatic actuator working pressure: 0.3~0.8MPa
 Bottom connection: ISO 5211
 Solenoid valve standard: Namur
 Accessories of pneumatic actuator: limit switch box, solenoid valve, .

Pneumatic Actuator Dimension



Model	A	B	C	D	H×I	G	N	J	K	L	M	Air connection
AT032	110	45	45	20	50×25	12	9	Æ36		M5×7.5		G1/8"

AT040	122	60	65	20	80×30	14	11	Æ50	Æ36	M6×10	M5×7.5	NAMUR G1/4"
AT052	147	72	72	20	80×30	14	11	Æ50	Æ36	M6×10	M5×7.5	NAMUR G1/4"
AT063	172	88	83	20	80×30	18	14	Æ70	Æ50	M8×13	M6×10	NAMUR G1/4"
AT075	184	100	95	20	80×30	20	14	Æ70	Æ50	M8×13	M6×10	NAMUR G1/4"
AT083	204	109	103	20	80×30	21	17	Æ70	Æ50	M8×13	M6×10	NAMUR G1/4"
AT092	262	117	109	20	80×30	22	17	Æ70	Æ50	M8×13	M6×10	NAMUR G1/4"
AT105	268	133	121	20	80×30	26	22	Æ102	Æ70	M10×16	M8×13	NAMUR G1/4"
AT125	301	155	143	20	80×30	27	22	Æ102	Æ70	M10×16	M8×13	NAMUR G1/4"
AT140	394	173	152	20	80×30	32	27	Æ125	Æ102	M12×20	M10×16	NAMUR G1/4"
AT160	458	198	174	20	80×30	34	27	Æ125	Æ102	M12×20	M10×16	NAMUR G1/4"
AT190	528	232	206	30	130×30	40	36	Æ140		M16×24		NAMUR G1/4"
AT210	532	257	226	30	130×30	40	36	Æ140		M16×24		NAMUR G1/4"
AT240	660	291	260	30	130×30	50	46	Æ165		M20×25		NAMUR G1/4"
AT270	740	330	294	30	130×30	50	46	Æ165		M20×25		NAMUR G1/2"
AT300	798	354	336	30	130×30	60	46	Æ165		M20×25		NAMUR G1/2"
AT350	880	408	385	30	130×30	60	46	Æ165		M20×25		NAMUR G1/2"
AT400	950	464	516	30	130×30	60	55	Æ254	Æ165	8-M16×25	M20×25	NAMUR G1/2"

AT series pneumatic actuators statement of usage and selection

Through research development and design AT series pneumatic actuators incorporate the latest technology materials and innovative idea. The product proudly boasts the following features.

Full conformance to the latest specifications: ISO5211, DIN3337 and VDINDE-3854, NAMUR.

The extruding high intensity aluminum body possesses a honed internal surface coated with hard anode oxygenation for long life. Low coefficient of friction and swift performance.

Excellent compact and modernized construction along with multi specifications makes the selection both economic and beneficial.

All acting surface adopt high quality bearing resulting in low friction, high cycle life, and no noise

The two independent external stroke adjustment bolts can easily and precisely adjust $\pm 5^\circ$ at both open and close directions.

Some outline actuators have the functional modes of double acting and single acting (Spring -Return). The Spring-Return has the normally-open and normally-close styles.

Multi function indicator with NAMUR is convenient for mounting accessories.

Pre-compressed load spring is convenient for safe mounting and tear down procedures.

Die-casting aluminum pistons and end caps have high intensity and light weight.

Different O-rings materials are available for high and low temperature.

Solenoid valves are easily mounted without any connecting plank.

Contact US

Moble: +86 13921532524 Wechat:wxy871031

Skype: snow870909

Mail: snow0909@hotmail.com



Changshu Kexin Automation Equipment Co., Ltd.



+8613921532524



snow0909@hotmail.com



atpneumaticactuator.com

No.25 Yingbin Road,Bixi New District,Changshu City,Jiangsu Province