



常熟科新自动化设备有限公司
CHANGSHU KEXIN AUTOMATION EQUIPMENT CO., LTD.

Changshu Kexin Automation Equipment Co., Ltd.
atpneumaticactuator.com



Piston Stainless Steel Actuator Rotary Pneumatic Actuated Valve

Basic Information

- Place of Origin: Jiangsu, China
- Brand Name: OEM
- Certification: CE, ATEX, ISO, SGS
- Model Number: DA, SR
- Minimum Order Quantity: 1 set
- Price: 10USD per set
- Packaging Details: 1) foam packing inside, one carton box outside 2) then put all carton box in one strong plywood case for sea transport
- Delivery Time: 3-15days
- Supply Ability: 5000 sets per month



Product Specification

- Product Name: Stainless Steel 304/316 Pneumatic Rotary Actuator DASR Pneumatic Actuated Valve
- Application: Ball Valve, Butterfly Valve regulating Valve
- Connection: ISO 5211, DIN 3337
- Structure: Rack And Pinion
- Type: Double Acting And Single Acting
- Power: Pneumatic Control
- Size: 45 To 400
- Material: Stainless Steel 304/316 Or Aluminum Alloy
- Certification: CE, ATEX, ISO, SGS
- Highlight: **stainless steel piston actuator, pneumatic actuated valve, steel actuator**



More Images



Our Product Introduction

for more products please visit us on atpneumaticactuator.com

Product Description

stainless steel 304/316 pneumatic rotary actuator DASR pneumatic actuated valve

Pneumatic Actuator:

Body material

304, 316, 316L

Connection**Clamp****Pressure class**

PN1.6MPA

Seat sealing**PTFE:****Stem material**

304

Applicable medium

food, medium, packaging machinery

Structure

2 way floating ball core, 3 way L/T-type floating type

Material	Stainless Steel
Rotary Angle	0~90 degree
Structure	rack and pinion rotary actuator
Working Pressure	2~8bar
Surface Treatment	hard anodizing
Working Temperature	Normal Temperature: -20°C(-4°F) ~ 80°C (+176°F);
	High Temperature: -15°C(+5°F) ~ 150°C (+302°F);
	Low Temperature: -40°C(-104°F) ~ 80°C (+176°F).
Connection	NAMUR, ISO5211 and DIN3337
Application	ball valve, butterfly valve, and rotary machine
Cup Color	grey, black, sky blue, dark blue, red, orange

Pneumatic actuators statement of usage and selection:

Through research development and design XM series pneumatic actuators incorporate the latest technology materials and innovative idea. The product proudly boasts the following features.

Full conformance to the latest specifications: ISO5211, DIN3337 and VDINDE-3854, NAMUR.

The extruding high intensity aluminum body possesses a honed internal surface coated with hard anode oxygenation for long life. Low coefficient of friction and swift performance.

Excellent compact and modernized construction along with multi specifications makes the selection both economic and beneficial.

All acting surface adopt high quality bearing resulting in low friction, high cycle life, and no noise

The two independent external stroke adjustment bolts can easily and precisely adjust $\pm 5^\circ$ at both open and close directions.

Same outline actuators have the functional modes of double acting and single acting (Spring -Return). The Spring-Return has the normally-open and normally-close styles.

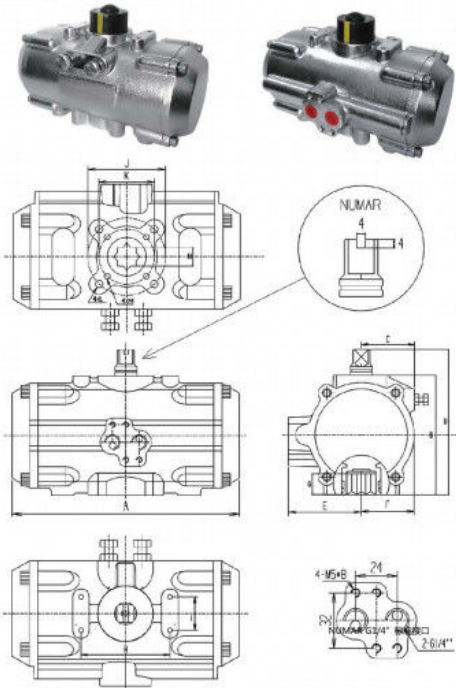
Multi function indicator with NAMUR is convenient for mounting accessories.

Pre-compressed load spring is convenient for safe mounting and tear down procedures.

Die-casting aluminum pistons and end caps have high intensity and light weight.

Different O-rings materials are available for high and low temperature.

Solenoid valves are easily mounted without any connecting plank.



XM Series Actuator Dimension Table

Model	A	B	C	D	E	F	G	H	I	J	K	L	M	气源接口 Air Connection
XM-AT12	146	72	30	92	47	32	14	80	30	11	Ø36	M6*10(1/4" -20UNC)	M5*7.5(10-24UNF)	G1/4"
XM-AT13	173	88	36	108	54	38	18	80	30	14	Ø70	M8*13(5/16" -18UNC)	M6*10(1/4" -20UNC)	G1/4"
XM-AT14	204	108	48	128	65.5	48	21	80	30	17	Ø70	M8*13(5/16" -18UNC)	M6*10(1/4" -20UNC)	G1/4"
XM-AT15	270	133	50	153	77	60	26	80	30	22	Ø102	M10*16(3/8" -18UNC)	M8*13(5/16" -18UNC)	G1/4"
XM-AT12S	302	155	58	175	87	69.5	27.5	130	30	22	Ø102	M10*16(3/8" -18UNC)	M8*13(5/16" -18UNC)	G1/4"
XM-AT14S	394	172	69	192	95.5	77	32	130	30	27	Ø125	M12*20(1/2" -12UNC)	M10*16(3/8" -18UNC)	G1/4"
XM-AT16S	456	198	75	218	106	87	34	130	30	27	Ø125	M12*20(1/2" -12UNC)	M10*16(3/8" -18UNC)	G1/4"
XM-AT21S	568	257	90	287	133	113	40	130	30	36	Ø140	M16*24(5/8" -11UNC)		G1/4"

安装标准 Mounting Standard



气源接口符合NAMUR标准，可简单方便地安装电磁阀。

Air supply connection is designed in accordance with NAMUR Standard to install solenoid valves.



输出轴的NAMUR标准槽和工体上部标准安装孔，可使限位开关、定位器直接吻合和安装。

The Namur drive pinion and the Namur topmounting connection permit direct installation of accessories such as limit switch box and positioner.



底部安装孔设计符合ISO5211、DIN3337标准，可以直接安装离合器（气动手轮机构）或安装支架。

Bottom mounting connection is designed in accordance with ISO5211 and DIN3337 standards for direct mounting with valve gear boxes or mounting brackets.

Main Features:

- 1). Our design, material and size are definitely accord with ISO9001:2008, CE Certificate and ATEX Certificate.
- 2). Our piston is treated thermal quenching to obtain better strength and prolong using life.
- 3). The surface of our actuator body is treated hard anodizing to against rust and scratch.
- 4). We provide with OEM service
- 5). Strict quality control
- 6). Better quality at a better price
- 7). Excellent After-service.
- 8). Fast delivery time

Contact US:

Moble: +86 13921532524 Wechat:wxy871031
 Skype: snow870909
 Mail:: snow0909@hotmail.com





+8613921532524



snow0909@hotmail.com



atpneumaticuator.com

No.25 Yingbin Road,Bixi New District,Changshu City,Jiangsu Province